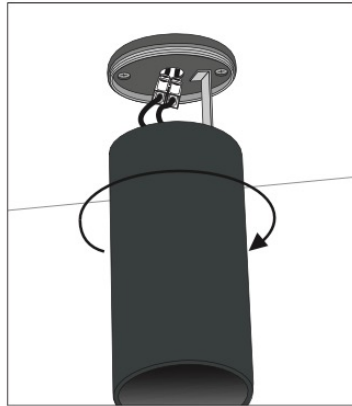
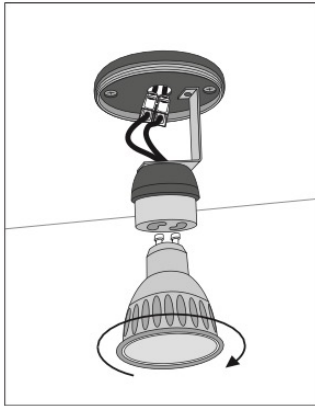
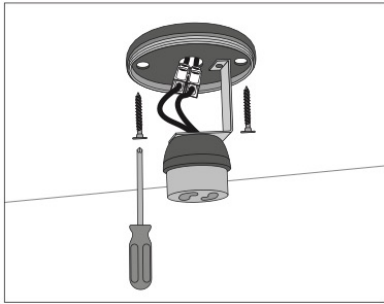


FAMILY TUBB SURFACE MOUNTED CYLINDER

JM2211X3 (IP20) | JM2411X3 (IP44)



Cutout shape / size :

Not applicable, mounted installation

Surface diameter : 56mm

Available colors :

White → code 0

Black → code 9

Bronze → code 6

Specifications :

GU10 – 230V – max. 50W

Class I

Weight :

2211X3 0,23 kg

2411X3 0,30 kg

Protection level :

2211X3 IP20

2411X3 IP44

